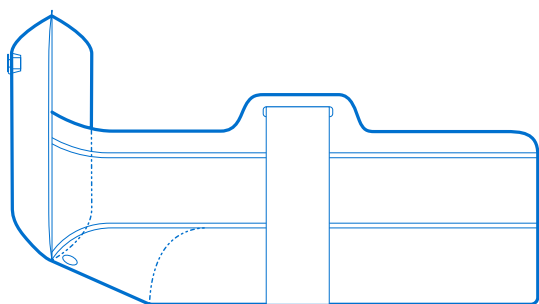


Your Vision Is Our Goal

OFFLOAD

Heel pressure relief bootee



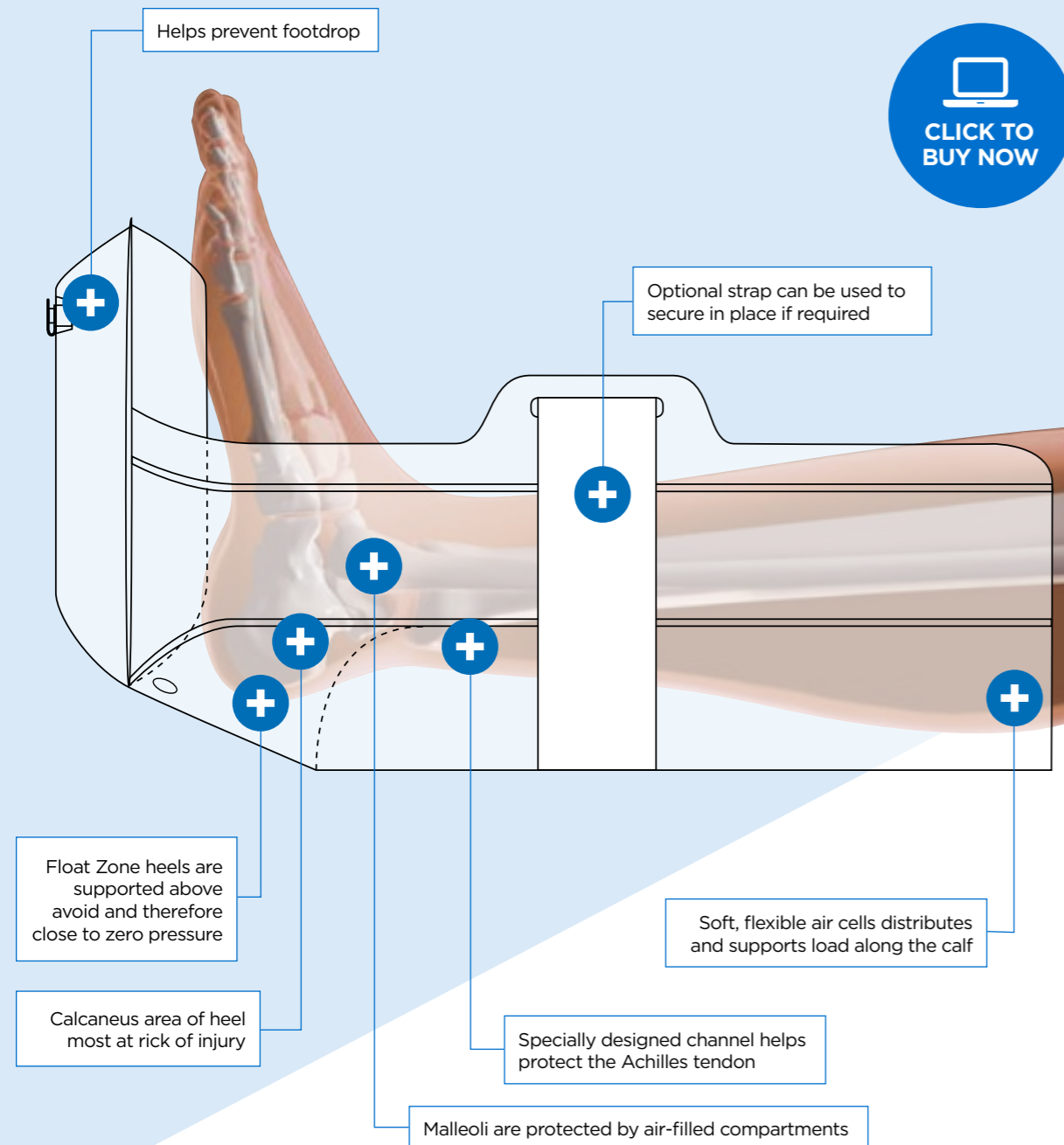
Heel Pressure Relief Bootee

Inflatable Offloading Device To Help Safely Remove Pressure

ProSys
International Ltd

The heel is the second most common site for pressure ulcer development

- Research shows between 80% and 95% are avoidable¹
- 17% of heel pressure ulcers may additionally involve the Achilles tendon²
- Studies in offloading with inflatable device have shown a reduction in incidence rates of heel pressure ulcer formation from 6% to zero³ and 17% to zero⁴



Risk factors for the development of pressure ulcers could include:

- Age or immobility
- Moisture or incontinence
- Unrelieved pressure and/or shear
- Disorders that lessen mental awareness, e.g. dementia
- Malnutrition and dehydration
- Disorders that may impair blood flow or the sensation of discomfort, e.g. diabetes
- Medications, particularly sedatives

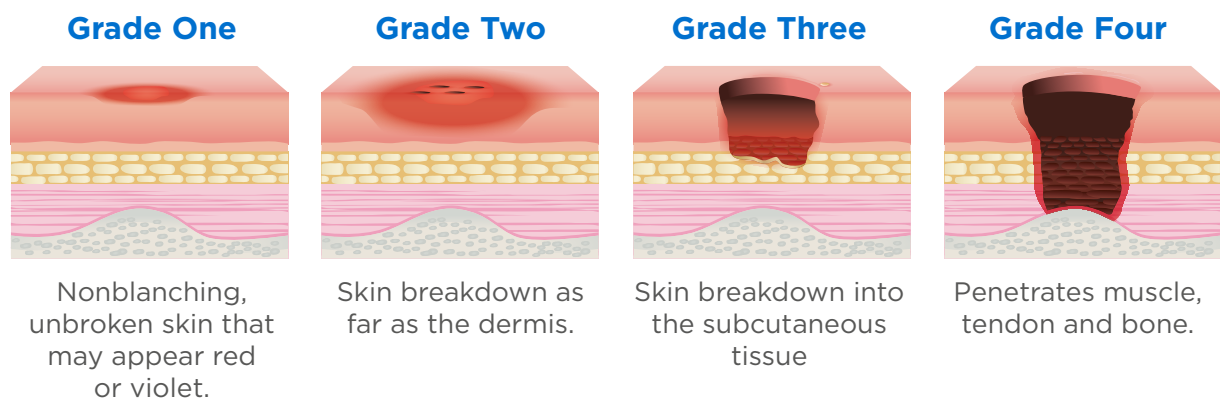
“ NICE Guideline CG179, April 2014 states that
 “Discuss with patient at risk of developing a heel pressure ulcer... a (prevention) strategy to offload heel pressure”

“ NPUAP Guidelines 2014 states that
 “Use heel suspension devices that elevate and offload the heel completely in such a way as to distribute the weight of the leg along the calf without placing pressure on the Achilles tendon”⁵

Offload is an inflatable offloading device to help safely remove pressure from the heel area of vulnerable patients.

Heels are especially vulnerable to pressure injuries due to the relative small surface area, thinness of the underlying tissue, and the proximity of the angular calcaneus (heel bone) to the skin surface.

- Suitable for patients at all levels of risk, including very high risk, and for patients with existing pressure ulcers grades 1, 2, 3 & 4. Offloading the heel effectively reduces pressure to zero - heel sits over the 'float zone'
- Offers protection for the Achilles tendon.
- Reduces the impact of pressure, friction and shear.
- For use in bed or with feet elevated into horizontal position, easily secured with strap provided.



¹ Stop the Pressure Campaign, NHS England 2014

² Kleinman & Cahn. Conservative Management of Achilles Tendon Wounds: Results of a Retrospective Study *Ostomy Wound Management*. 2011;57(4):32-40. 2011

³ Evans J. *British Journal of Community Nursing*, Vol 14 No 6, Wound Care June 2009

⁴ A.MacFarlane, S.Sayer. Poster presented at the 7th EPUAP Open Meeting. 2005

⁵ Repositioning for preventing heel pressure ulcers. 2014. National Pressure Ulcer Advisory Panel.

Suite 303, Highland House, 165 The Broadway,
Wimbledon, SW19 1NE, UK

+44 (0)20 8944 7585

www.prosysinternational.co.uk



ProSys
International Ltd